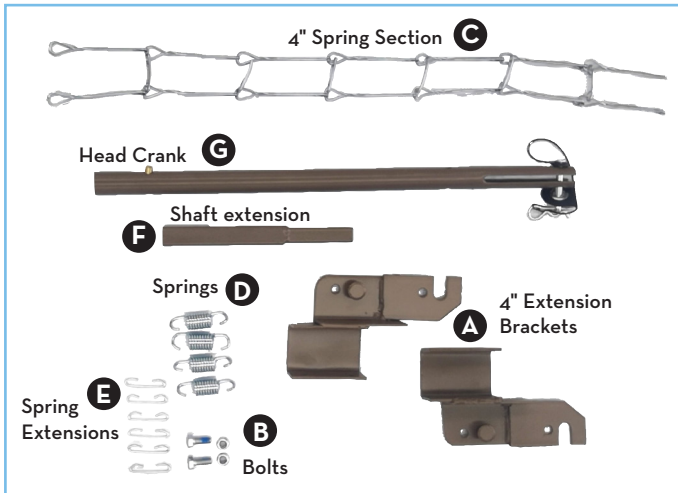


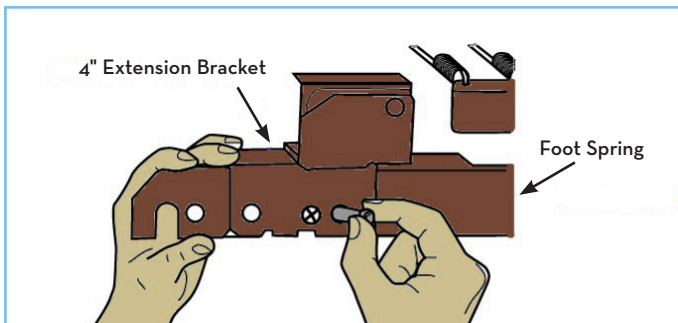
Drive Bed Extension Kit Installation on the 15004P and 15005LP Beds.

assembly instructions

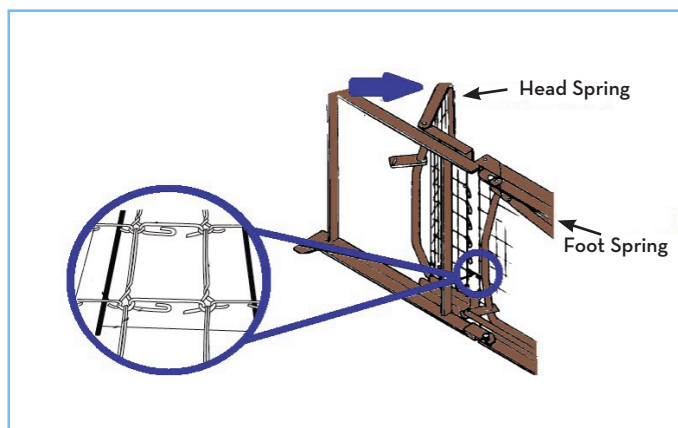
Extension Kit



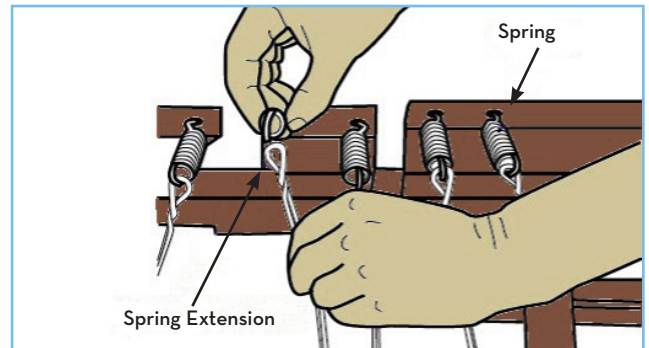
1. With the head and foot spring separated install the two 4" extension bracket (A) on the foot spring of the bed. Insert the provided bolt and nut (B) to secure the bracket to the foot spring.



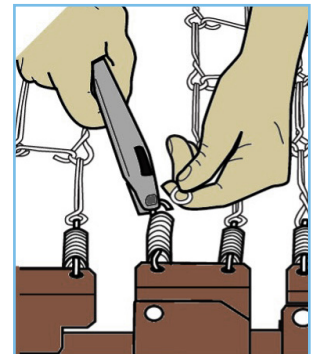
2. Assemble the foot spring to the head spring.
3. Attach the 4" spring section (C) provided in the kit to the open end hooks on the foot spring.



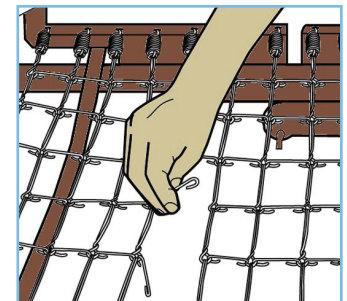
4. Install two of the springs (D) provide into one of the extension brackets. Attach these two springs to the 4" spring section (C).



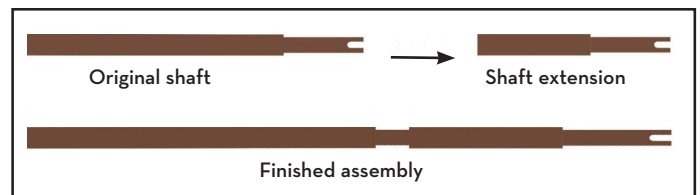
5. Install the remaining two springs (D) to the other 4" extension bracket (A). Using a vise grip grasp the free end of one of the springs and stretch it to go into the 4" spring section (C). **USE CAUTION THE SPRING CAN SNAP BACK AND CAUSE INJURY.** Repeat for the other spring.



6. Attach the spring extension (E) to the head spring of the bed.



7. Install the head and foot boards on the bed frame. Use the hi-low shaft extension (F) on the hi-low shaft of the bed.



8. Remove the old head actuator connection tube and connect the extended actuator connection tube.

